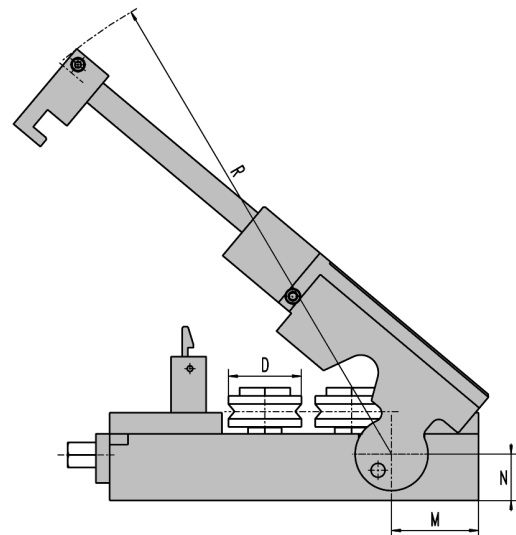
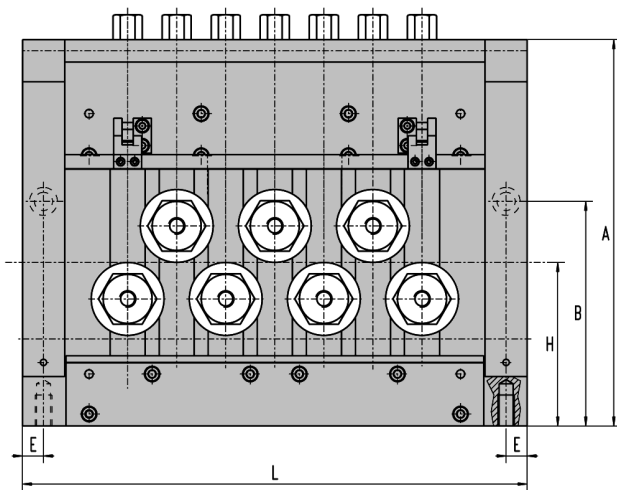
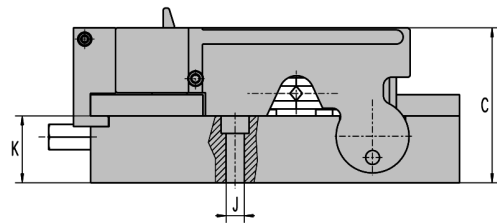
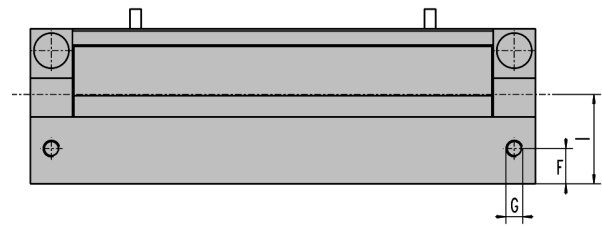


Techna STRAIGHTENERS (WIRE & STRIP)

NT - Precision Straightener with Individually Adjustable Rollers and Quick Release

Highly adjustable with moveable centre line, close roll spacing and quick release guarded design.



NT Series	Wire Diameter Ranges (mm) ϕ		
	0.8 - 2.0	2.0 - 4.0	4.0 - 6.0
Order Ref.	NT7-2.0	NT7-4.0	NT7-6.0
A	138	182	275
B	85.5	105	160
C	55	77	110
D	26	35	52
E	9	10	15
F	17	16	25
G	M8	M10	M12
H	59.5	72.5	116.5
I	29	45	63.5
J	9	11	13
K	25	32	47.5
L	172	239	360
M	34	38	62
N	17	22.5	25
R	175	242	366
Kg	4	10	34
Rolls	WR26	WR35	WR52